



Beaumont Community Youth Basketball

P.O. Box 3126

Beaumont, CA 92223

Phone: (951) 575-7172



Oct 24, 2022

To: City of Beaumont
Attn: Beaumont City Council
Thru: Albert Chatigny Sr. Community Center 1310
Oak Valley Pkwy
Beaumont CA 92223

SUBJECT: REQUEST TO WAIVE FEES IN EXCESS OF THE \$20 PER HOUR ADMIN FEE

Beaumont Community Youth Basketball, Inc. aka BCYB 501(c)(3)
Entity # 3060139
FEIN: 26-1339390

COMMUNITY VALUES, INTEGRITY, LEADERSHIP

Beaumont Community Youth Basketball (BCYB) is a non-profit community organization that can provide up to 500 children ages 5 thru High School the opportunity to participate in basketball. The league is open to children of all skill levels in the city of Beaumont and surrounding areas. Beaumont Community Youth Basketball strives to provide opportunities for personal growth and development of youth athletes, while reinforcing positive influences, self-confidence, self-esteem, and the ability to excel on and off the court. BCYB is dedicated to educating and motivating each participating member while encouraging teamwork, sportsmanship, and fun through the spirit of basketball. All of our directors, coaches, and staff are volunteers charged with always conducting themselves as ethical role models focused on the welfare of the children of our community. Character development is stressed through teamwork and sportsmanship remembering that the primary goal is for the children to have fun!

OTHER PROGRAMS

BCYB is not an AAU or other style private program which seeks athletes of a specific skill set and limits registration based on physical or some mental limitations. Every child and family is welcome to participate who will abide by basic codes of conduct.

OTHER BCYB COMMUNITY VALUE

College Scholarship Awards – the league annually participates with Beaumont Unified School District in Sr. Awards night at Beaumont High School. The league awards 3-8 eligible high school seniors' money towards college or other higher learning institutions to further their education. These families have volunteered countless years and time to the success of the BCYB community program.

Three to 8 high school seniors may receive more than \$3,500 collectively. This is not done by any other youth sports organization within the Beaumont community (football, soccer, baseball, gymnastics, etc.)

Letters of Recommendation – youth and parents who serve faithfully can receive letters of recommendations for job employment.

BCYB financially employs community school aged youth during its Fall/Winter Season – youth begin to work on a rotational basis from September thru March.

BCYB does no cost participant scholarships on a case-by-case basis to be determined by the league board and has program participation from special needs kids from local group homes.

SPECIAL UPGRADE PROJECT: REPLACE (6) CHATIGNY REC CENTER BASKETBALL BACKBOARDS

The facility fee waiver request is in part due to the city determining new fee schedules for all youth sporting activities in Beaumont beginning next season. In fairness, it would be prudent to see how all programs will be impacted collectively. To the cities great credit throughout the years, BCYB cost overall have been limited to staffing fees only.

The league is requesting approval to upgrade from “manual” height adjuster courts to “automated” height adjuster courts for all age groups 5 years thru 12th grade. Several years ago, BCYB partnered with the community recreation center for the current manual backboard upgrade during the Chatigny’s initial standup. The league raised fees this 2022-23 season to assist as part of one-time 10+ year lifecycle equipment upgrade that is well overdue. After this one time lifecycle upgrade the league naturally reverses fees of participant cost next season. BCYB took the lead during the first upgrade and assisted in oversight of the project to completion. The current courts use very heavy manual steel cranks and are very physically labor intensive to adjust up and down for volunteer patrons who may or may not have a disability or who may simply not be strong enough to perform the manual task. This would assist in the form of a basic reasonable accommodation for staff and patrons alike having the ability to raise and lower courts from the new systems automated wall key switches. This would also assist and enhance any present/future CRC employee/staffing working conditions for quality of life under the American Disability Act compliance for employees. Electrical work is required. This can be accomplished by a private licensed electrician or whomever city leadership/managers approve.

See attached cost estimate from (SEI) Sports Equipment Installation, \$13,320.40 not including the electrical work required which is estimated at 5k – 8k respectively from a known licensed local electrician familiar with the building structure (TBD); TOTAL MAX project COST \$21,320.40 or under. SEI was the original installer when the Chatigny was built and has continued with maintenance of the Porter Sports basketball equipment throughout the years to date. During the last upgrade, we split cost with city. The league would like to have this project completed before the start of the Dec 2nd

opening game day. SEI only needs 2-days for installation minus the electrical work of 2-3 days in succinct order. There is a window of opportunity for completion prior to the start of this season. BCYB would consider it reasonable and in good faith if the city would like to adjust next seasons league fees in order to offset cost for the project cost paid for by the league this season in part or in whole.

BCYB ESTIMATED PROFITABLE IMPACT ON BEAUMONT'S ECONOMY

BCYB Annual Basketball Tournament – this event host teams from surrounding cities and out of state for 2-3 days during the 2^{ns} or 3rd week of March. Event encompasses 35 plus teams of 350 plus players. This includes family members and friends attending the program event.

Cities include: Redondo Beach, Big Bear, Needles, Bullhead, AZ, Las Vegas, NV, 29 Palms, Yucca Valley, San Bernardino, Hemet, Banning, and various private teams and organizations.

During this event, City of Beaumont hotels are booked out almost completely for the weekend. All of the city's restaurants, stores, gas stations, and other offerings are patronized as well.

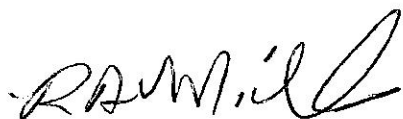
Hotel average cost in Beaumont for March after taxes and service charge is: \$219 - \$256. Avg. \$237 per night (x2 nights) for 250 out of towners averages \$118.5k for the weekend. All other community activities and conveniences for MEALS & INCIDENTALS per diems for Riverside County \$66 per day per person. Average 2 – 4 persons per family 2-day stay in Beaumont can equal \$264 to \$568 Avg. = \$416 for the weekend tournament per family. The average number of basketballs outside visitors in Beaumont for that weekend 650 – 850 individuals. Using 250 families' times M & I @ \$416 = \$104,000.

March 17-19, 2023 Hotel = \$118.5k + M&I = \$104,000 Economic Value Est: \$222.5k

BCYB CHATIGNY COMMUNITY CENTER CONTRIBUTIONS

The league follows all community center policies and guidelines to the best of our ability. To maintain seasonal continuity of gym operational flow, the league actively assists with consulting subject matter experts if equipment or other issues occur, and readily assist financially with cost and repair of equipment, goals, bleachers, etc. though BCYB is not a year-round occupant of the facility.

POC is the undersigned at (951) 575-7172. Sincerely,



Roy Mickles
President, Beaumont Community Youth Basketball

SPORTS EQUIPMENT INSTALLATION, INC.

1835A S. CENTRE CITY PKWY #246

CA #587916

ESCONDIDO, CA 92025

Phone: (760) 233-9769

Fax: (760) 233-9769

09/28/2022

Email: seiinc@cox.net

ANNUAL INSPECTION/SERVICE/REPAIR AGREEMENT

S.E.I., INC. agrees to inspect the equipment described below, perform general servicing including necessary lubricating, normal adjustments, and recommend upgrades or replacements. The work to be performed is considered part of normal maintenance and a warranty is given for parts provided by manufacture. Any additional on-site visits will be an additional charge.

Job Site:

Albert Chatigny Sr.
Community Center
1310 Oak Valley Pkwy
Beaumont, CA 92223

Owner if Different:

City of Beaumont
550 E. 6th Street
Beaumont, CA 92223

Phone:

Roy Mickles
951-575-7172

Email:

BCYB.Mickles@gmail.com

Phone:

951-769-8524

Fax:

951-769-8519

Equipment

Item	Qty.		Amount
H/A elec	6	New Electric H/A w/ key switch Tax /shipping	\$7,220.40
		Installation	\$4,500.00
		Electrical by others	5k-8k RM
		Lift Charge	\$1,000.00
		Trip Charge	\$600.00
		TOTAL	\$13,320.40

MAX: \$ 21,320.40 RM

Owner of Equipment agrees to pay the sum of \$13,320.40 for inspection and general servicing of the equipment and installation of added parts (if any) listed above. Any other parts ordered after service is subject to extra Installation, trip and lift charges. Terms: Net 30 Days

Accepted (Signature)

Printed Name

Date

PO #

On site Contact

Phone #

Cell #

00901506 - CENTER-STRUT HEIGHT ADJUSTER

KEY SWITCH OPERATION FOR RECTANGULAR BACKBOARD
NO. 208 RECTANGULAR GLASS

SPECIFICATIONS

Height adjustment unit shall be designed for use with No. 900 Center-Strut® series ceiling suspended basketball backstop support systems to provide an adjustable, direct-mount (Center-Strut®) goal attachment system to eliminate any strain on the backboard should a player hang on the front mounted goal (conforms to the latest NCAA recommendation). Height adjustment units without the prescribed direct-mount goal feature will not be approved as equal. Height adjustment feature will allow goal height settings from 8'-0" to the official 10'-0" for use by all age groups. For use with No. 208 rectangular glass backboards.

Center unitized support frame shall be fabricated by dual, 2-3/16" square heavy-wall zinc plated guide tubes located on 11-3/16" centers. Ends of guide tubes shall be welded to heavy, formed mounting brackets. Heavy formed, die cut steel clamp assemblies (2) shall be provided for securing height adjustment assembly directly to a 6-5/8" O.D. center support structure (No. 900 Center-Strut® series basketball backstops). Outer dual slide tubes shall support heavy structural steel angle sections which extend downward to accept a direct-mount (Center-Strut®) goal mounting system. Slide tube assembly shall be provided with a heavy formed steel section to attach a special upper backboard support assembly to secure the unit to the upper two corners of the rectangular backboard on standard (5'-6") mounting centers.

Height adjustment unit shall incorporate a compact 115-volt, gear motor type linear actuator with 600 pound thrust capacity to raise and lower the goal height electrically. Motor shall draw 1.4 amps under full load. Integral limit switches shall provide automatic shut off at 8' and 10' goal heights. The motor shall be controlled by a special dual keyed, flush wall-mounted momentary key switch. Switch assembly shall be furnished with a 4-1/2" square stainless steel cover plate for mounting in a masonry wall box by the electrical contractor. (Key switches may be ganged in pairs in one cover plate to control the actuator and the backstop winch - specify requirements). Wiring from junction box on height adjuster frame to key switch shall be provided by the electrical contractor to meet all local code requirements.

Wiring of all electrical components shall be in accordance with local area codes, and in accordance with manufacturer's instructions. All conduit, wiring, junction boxes and components not specified herein shall be furnished and installed by the electrical contractor.

A height setting scale shall be located on the side of the unit to visually determine height settings from 8'-0" to 10'-0" in 3" increments.

Height adjustment frame shall be finished with one coat of flat black enamel. Hardware shall be furnished for mounting unit to a 6-5/8" O.D. vertical support tube.

WARRANTY

- Height Adjusters furnished with a 1-year limited warranty.

PORTER
WWW.PORTERATHLETIC.COM/FACILITY

BASKETBALL SPECIFICATION SHEET

B-901-506

00901506 - CENTER-STRUT HEIGHT ADJUSTER

KEY SWITCH OPERATION FOR RECTANGULAR BACKBOARD NO. 208 RECTANGULAR GLASS

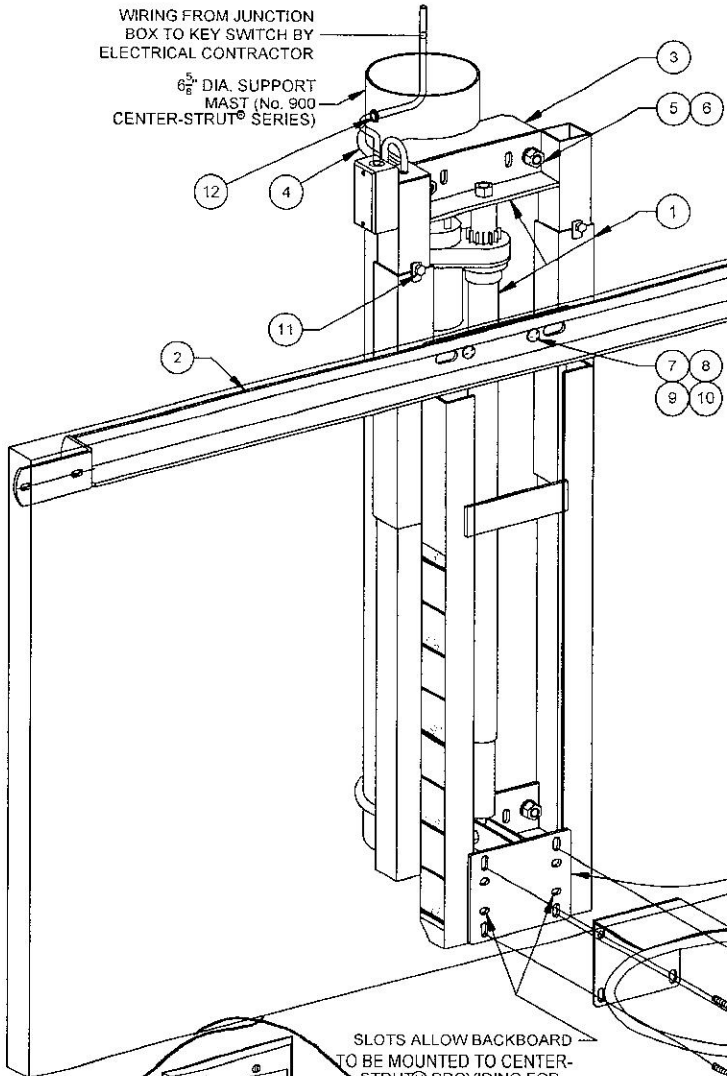
PORTER

BASKETBALL SPECIFICATION SHEET

B-901-506

10/1/2015

WARNING
SUBSTITUTION OF THIS KEY SWITCH WILL VOID ALL WARRANTIES AND WILL RENDER THE OPERATION OF THE HEIGHT ADJUSTER UNSAFE.



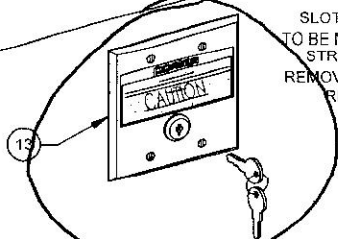
PARTS LIST			
NO.	QTY.	PART NO.	DESCRIPTION
1	1	FRME00213002	HEIGHT ADJUSTER ASSEMBLY
2	1	XEXT91612002	RECTANGULAR BACKBOARD EXTENSION
3	2	CLMP0058002	MAST CLAMP
4	2	UBOT000060E2	5/8" U-BOLT
5	4	HDWE04006000	5/8" LOCKWASHER
6	4	HDWE03012000	5/8" HEX NUT
7	2	HDWE020130E0	3/8" x 1 1/2" LG. CARRIAGE BOLT (GRADE 5)
8	2	HDWE050040E0	3/8" FLATWASHER
9	2	HDWE040020E0	3/8" LOCKWASHER
10	2	HDWE030020E0	3/8" HEX NUT
11	4	HDWE01134000	3/8" x 1/2" LG. NYLON BOLT
12	1	BUCH00069002	PLASTIC BUSHING
13	1	ELEC00086000	KEY SWITCH ASSEMBLY

SEE PAGE No. B-901-K FOR FIELD WIRING DETAILS AND REQUIREMENTS

GOAL MOUNTING HARDWARE EXTENDS THROUGH BACKBOARD AND CENTER CHANNEL TO PROVIDE DIRECT-MOUNT CENTER-STRUT® FEATURE

SLOTS ALLOW BACKBOARD TO BE MOUNTED TO CENTER-STRUT® PROVIDING FOR REMOVAL OF GOAL WITHOUT REMOVING BACKBOARD

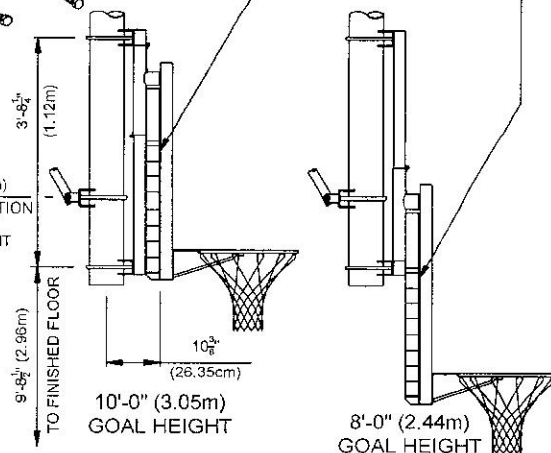
HEIGHT SETTINGS LABEL APPLIED TO SIDE OF HEIGHT ADJUSTER



FLUSH MOUNTED TYPE SWITCH FURNISHED WITH DUAL (UP-DOWN) KEY OPERATION MOUNTED IN A STAINLESS STEEL COVER PLATE. WIRING DIAGRAM PROVIDED WITH EACH UNIT. KEY SWITCHES MAY BE GANGED IN PAIRS IN ONE COVER PLATE - ONE FOR THE BACKSTOP, ONE FOR THE HEIGHT ADJUSTER.

CAUTION
KEY SWITCH MUST BE MOUNTED ON THE WALL IN A LOCATION SO THAT THE EQUIPMENT IT IS CONTROLLING IS IN FULL VIEW OF THE OPERATOR

10'-9" (3.27m)
TYPICAL LOCATION OF BRACE ATTACHMENT



- 00901506 KEY SWITCH OPERATION FOR RECTANGULAR BACKBOARD
SEE B-200 FOR BACKBOARD AND GOAL OPTIONS

PORTER
888-277-7778 PORTER@PORTERATHLETIC.COM
© COPYRIGHT 2015 PORTER ATHLETIC - ALL RIGHTS RESERVED

PROJECT NUMBER
CRC Backboard Upgrade
PROJECT NAME